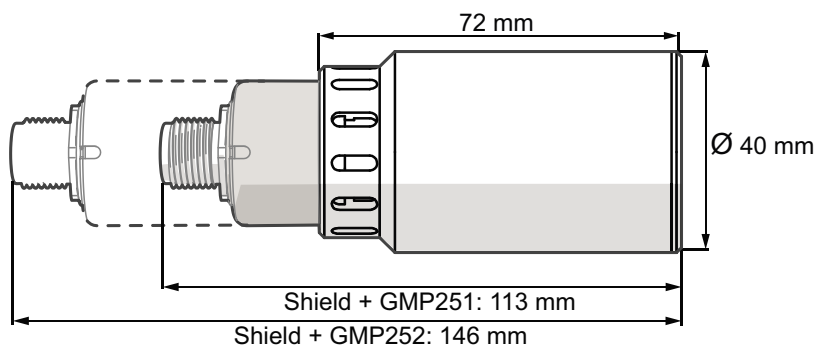


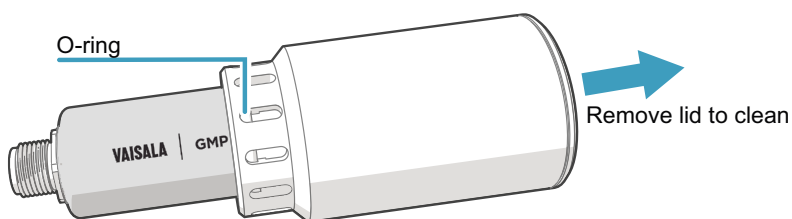
GMP251 GMP252

ASM212017SP Spray Shield Accessory



Spray Shield Accessory ASM212017SP

The spray shield accessory ASM212017SP allows cleaning the GMP251 and GMP252 probes with a pressure washer without exposing the sensor to moisture (IPX9 rating).



The spray shield can limit or prevent the use of the probe mounting clips (243257SP).

Table 1 Specifications

Property	Specification
Spray shield material	Polyoxymethylene (POM)
Weight	38 g
Probe response time	(T90) with standard filter, no spray shield: < 1 min (GMP251 and GMP252)
	(T90) with spray shield, GMP251: < 2 min
	(T90) with spray shield, GMP252: < 3 min
Chemical tolerance (cleaning)	<ul style="list-style-type: none"> Alcohol-based cleaning agents (for example, ethanol and IPA) For other cleaning chemicals, verify compatibility before use
IP rating with spray shield	IPX9

