

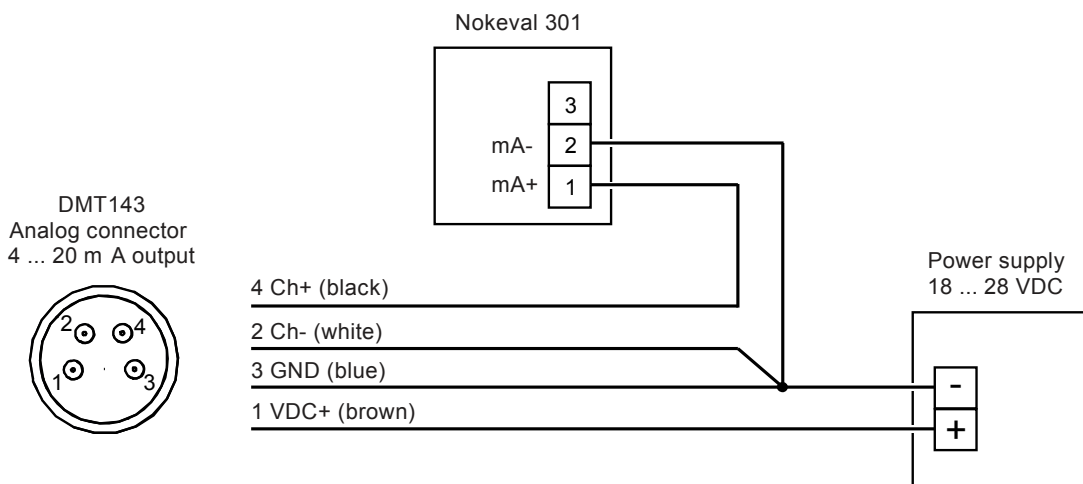
WIRING NOKEVAL 301/302 LOOP-POWERED DISPLAYS

This document provides wiring examples for connecting Vaisala transmitters with 4 ... 20 mA current signal to Nokeval 301/302 loop-powered displays.

For instructions on how to configure display scaling and other functions (such as relays and alarms), refer to the documentation that is delivered with the display. Manufacturer's documentation is also available from www.nokeval.com.



DMT143 Dewpoint Transmitter with Nokeval 301



DMT242 Dewpoint Transmitter with Nokeval 301

